



iRig[®] Pro I/O

**Portable Audio/MIDI interface for
iOS, USB**

USER MANUAL

Table of Contents

| | |
|---|----|
| Contents | 2 |
| English | 3 |
| Power adapter information | 3 |
| iRig Pro I/O | 3 |
| Register your iRig Pro I/O | 3 |
| Installation and setup | 4 |
| iOS devices | 4 |
| MAC/PC | 8 |
| iRig Pro I/O LEDs | 9 |
| Status / Audio level LED | 9 |
| Status / Audio level LED | 9 |
| Setting input gain on iRig Pro I/O | 10 |
| Stand adapter | 11 |
| Troubleshooting | 11 |
| Specifications | 12 |
| Warranty | 13 |
| Support and more info | 13 |

Power adapter information

Use only the specified AC adaptor you can buy at: www.ikmultimedia.com/irigpsu3a

Use only the specified AC adaptor (iRig PSU 3A) and make sure the line voltage at the installation matches the input voltage specified on the AC adaptor's body.

IK Multimedia will not be responsible of any damage caused by usage of any AC adaptor other than the specified one (iRig PSU 3A).

The usage of AC adaptors other than the specified one (iRig PSU 3A) could compromise the user experience in terms of:

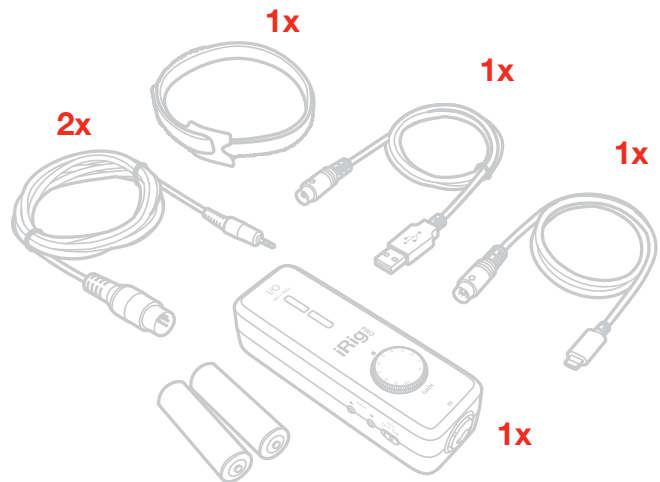
- Safety risk
- Apple device charging performances
- Noise performances

iRig Pro I/O

Thank you for purchasing iRig Pro I/O.

Your package contains:

- iRig Pro I/O
- 2 AA batteries (alkaline)
- Mini-DIN to Lightning cable
- Mini-DIN to USB cable
- 2 MIDI cables
- Velcro strap
- Quick start guide
- Registration card



iRig Pro I/O is the next generation of the iRig Pro — the first mobile interface for connecting all of your studio gear to your iPhone, iPad, Mac and PC.

iRig Pro I/O is a pocket-sized full-featured audio and MIDI interface that gives you 24-bit/96kHz recording studio quality sound everywhere you go with a few additional essential features for mobile recording.

Register your iRig Pro I/O

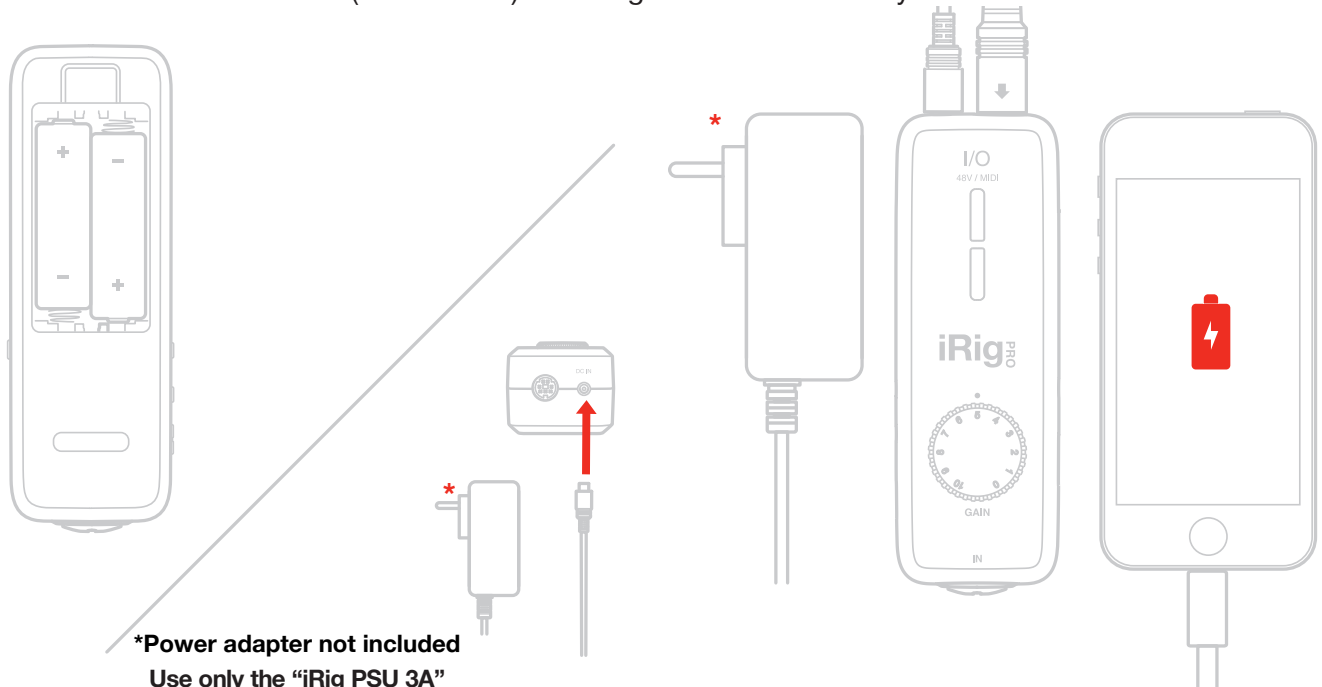
By registering, you can access technical support, activate your warranty and receive free JamPoints™ which will be added to your account. JamPoints™ allow you to obtain discounts on future IK purchases! Registering also keeps you informed of all the latest software updates and IK products.

Register at: www.ikmultimedia.com/registration

Installation and setup

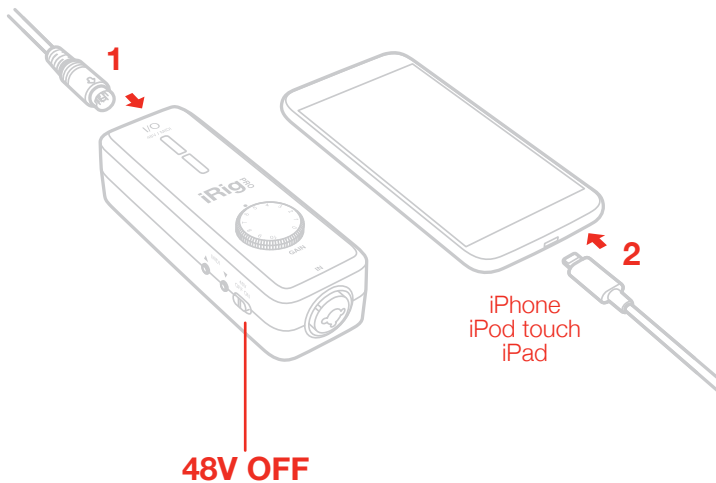
iRig Pro I/O can be powered by internal AA batteries or external PSU (not included).

For iOS users: the external PSU (not included) will charge the device's battery.



iOS devices

1. Connect the included Lightning cable to iRig Pro I/O Mini-DIN port.
2. Connect the Lightning cable to your iOS device. Make sure phantom power is turned off by setting the phantom power switch to the OFF position. Check that the phantom power LED is OFF.



3. If you have not done so already, download the AmpliTube 4 iOS/MAC/PC, T-RackS Deluxe for MAC/PC and SampleTank SE.

AmpliTube 4 iOS/Mac/PC, SampleTank SE and T-RackS Deluxe for Mac/PC

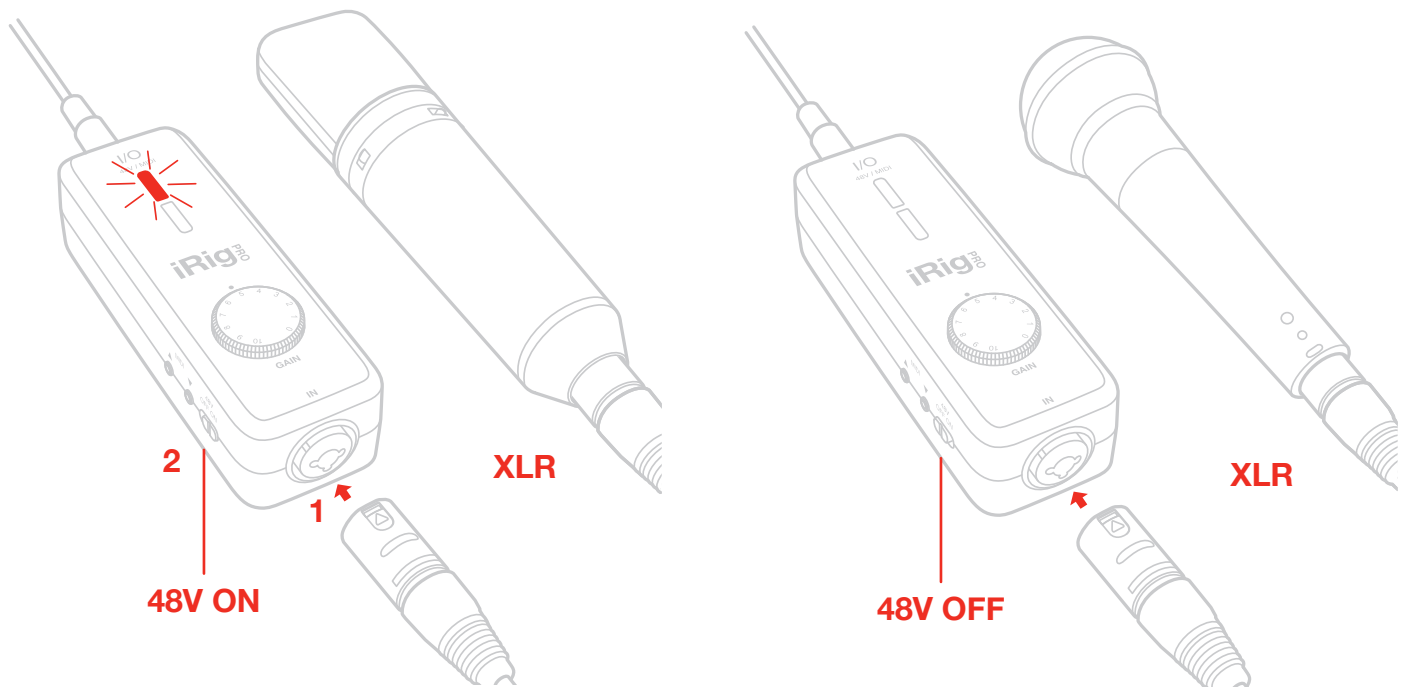


FREE DOWNLOAD

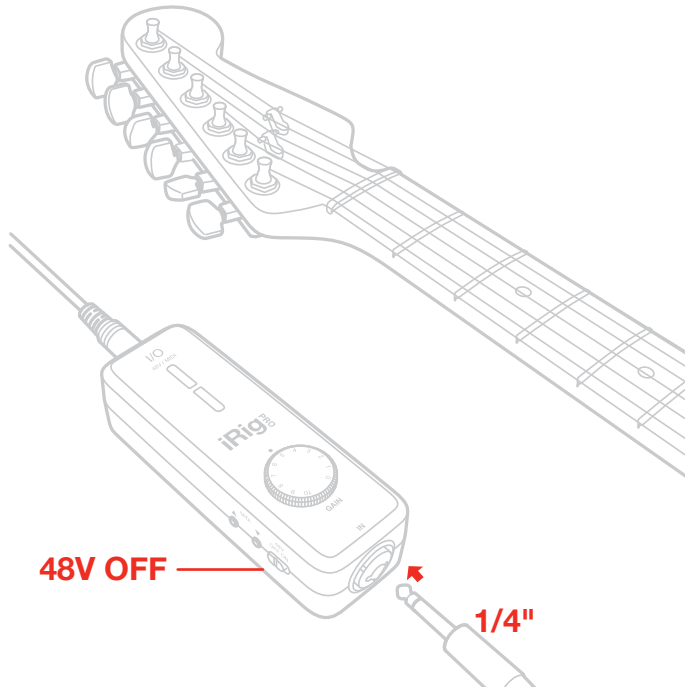
ikdownloads.com/irigproio



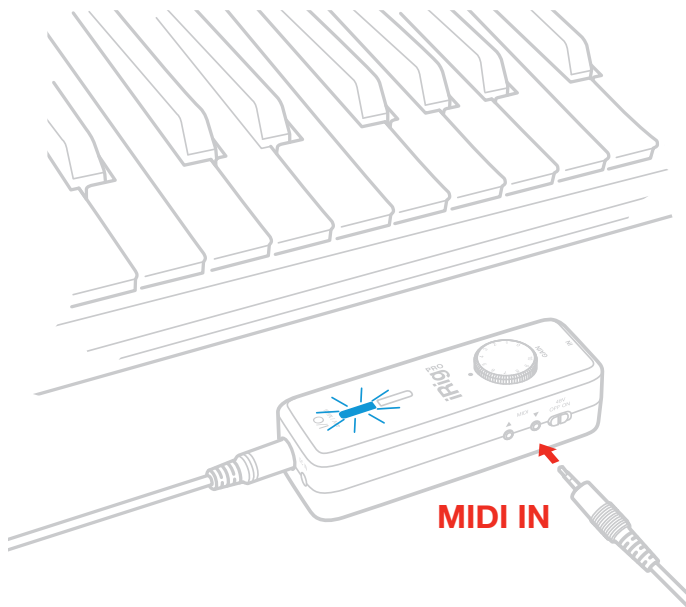
4. If you are using a microphone connect it using an XLR cable to the iRig Pro I/O microphone input.



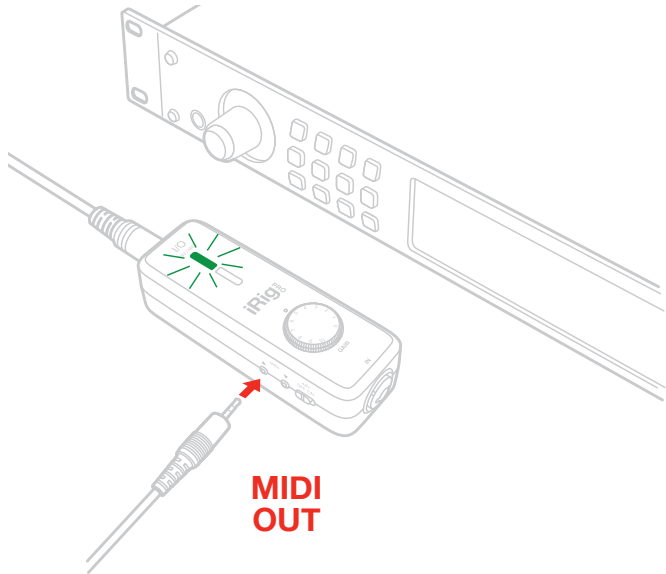
5. If you are using an instrument like a guitar or a bass, connect it using a regular 1/4" guitar cable to the iRig Pro I/O instrument input.



6. To play MIDI compatible apps from an external controller, use the included MIDI cable to connect your controller's MIDI OUT port to iRig Pro I/O's MIDI IN port. Always check the specific MIDI input settings in your app to make sure that the app is ready to receive incoming MIDI data.



7. To control an external MIDI device from an app, use the included MIDI cable to connect the MIDI OUT port of the iRig Pro I/O to the MIDI IN port of the external device. Always check for specific MIDI output settings in your app to make sure they are set to transmit MIDI data.

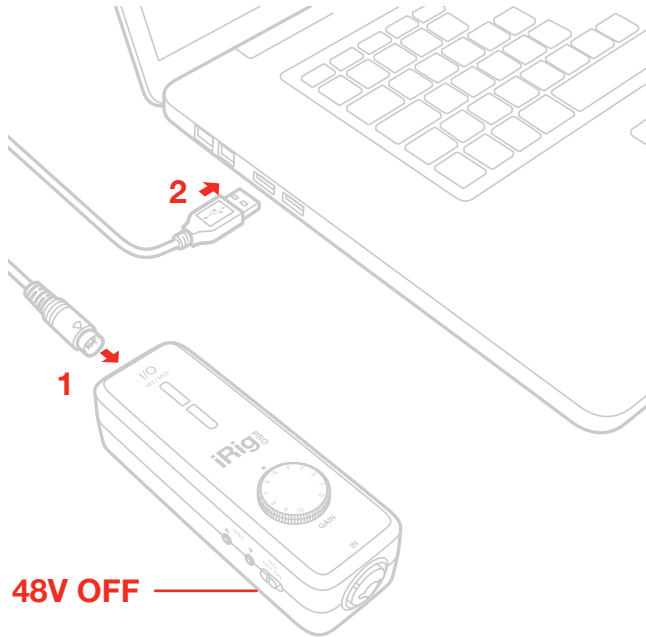


8. Connect your headphones to the Headphone Output jack on iRig Pro I/O and set its level via the dedicated volume wheel.



MAC/PC

1. Connect the included USB cable to iRig Pro I/O Mini-DIN connector.
2. Connect the USB cable to a free USB port on your Mac/PC.
3. Make sure phantom power is turned off by setting the Phantom Power switch to the OFF position. Check that the phantom power LED is OFF.



4. If you are using a microphone connect it using an XLR cable to one of the iRig Pro I/O microphone input.
5. If you are using an instrument like a guitar or a bass, connect it using a regular 1/4" guitar cable to one of the iRig Pro I/O instrument input.
6. Launch AmpliTube or any other Core Audio-compatible application and select iRig Pro I/O as the input device from your system's audio preferences.
7. Connect your headphones to the headphone output jack on iRig Pro I/O and set its level via the dedicated volume wheel.

iRig Pro I/O LEDs

Status / Audio level LED

The lower LED will show the audio signal level and the status of the unit as follow:

- LED Off: iRig Pro I/O is not connected to any power source.
- LED Bright blue: iRig Pro I/O is connected and a signal is present at the input of the channel.
- LED Green: The input signal of the corresponding channel is low.
- LED Orange: The input signal of the corresponding channel is OK.
- LED Red: The input signal of the corresponding channel is too high.

Status / Audio level LED

The upper LED show the phantom power and MIDI status.

Phantom LED

- Off: phantom power is OFF.
- Steady Red: phantom power is ON

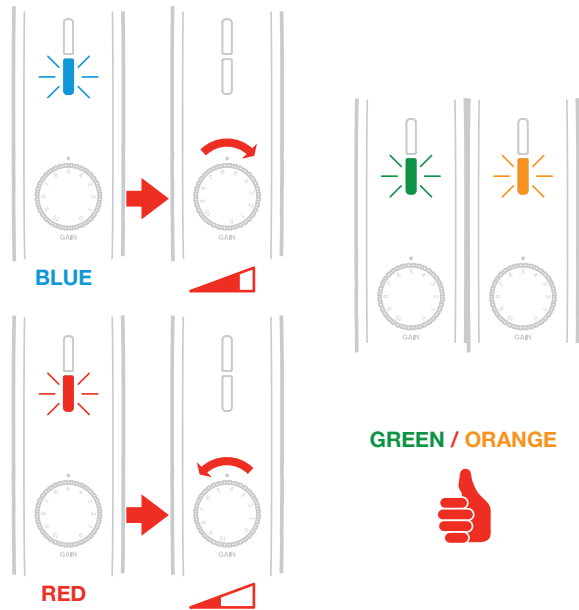
MIDI LED

- Off: iRig Pro I/O is not receiving any MIDI messages.
- Blinking Green: iRig Pro I/O is transmitting MIDI messages.
- Blinking Blue: iRig Pro I/O is receiving MIDI messages.

LOW BATTERY

When the battery level approach to be low, all the (turned ON) LEDs will fast blink every “2” sec. When the battery is at a very low level the audio out is muted and the LED continuously blinks.

Setting input gain on iRig Pro I/O

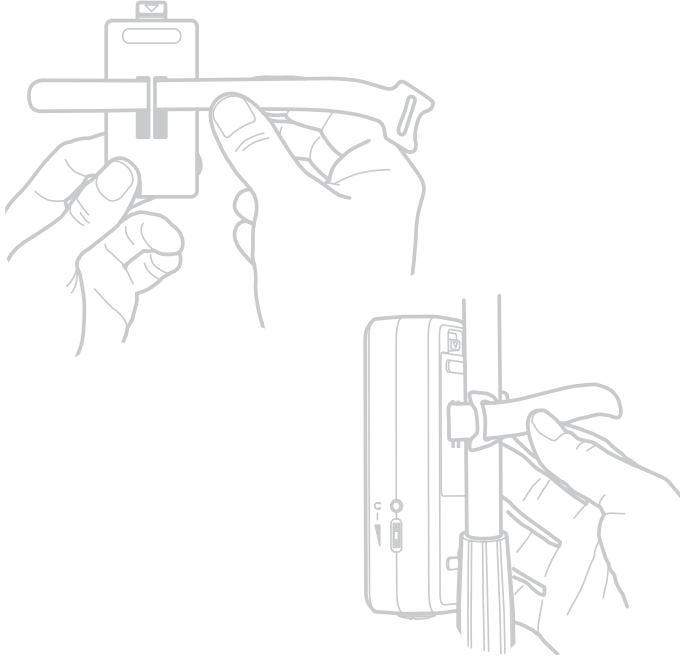


When talking or singing into your microphone, or when playing your instrument, check the audio level/status LED on iRig Pro I/O.

- If the LED is alternating between BLUE and GREEN, or is always GREEN, you should increase the iRig Pro I/O input gain by rotating the GAIN control clockwise.
- If the LED sometimes flashes RED, you should decrease the iRig Pro I/O input gain by rotating the GAIN control counter-clockwise.
- When your gain setting is optimal, the LED should alternate between GREEN and ORANGE while you play or sing.

Stand adapter

You can fix iRig Pro I/O to any microphone stand or pole via the included velcro strip.



Troubleshooting

Sound is distorted.

You're probably overloading the input. Check that the input gain on iRig Pro I/O is set properly. If the Audio Level LED is red when you play your instrument or sing or talk into a mic, decrease the input gain as described in this guide.

I don't get any sound.

In order for iRig Pro I/O to turn on, a Core Audio-compatible audio app must first be launched on your iOS device or Mac.

iOS: be sure you are using an app that works with audio input from the Lightning dock connector.

Mac: be sure you have set "iRig Pro I/O" as the audio or MIDI input device on the audio app you are using.

Phantom power doesn't turn ON.

Check that you have inserted working AA batteries in iRig Pro I/O's battery compartment, or that you've connected iRig Pro I/O to the external power supply.

I can't get any sound from my condenser microphone.

Your microphone may need phantom power. Turn phantom power on by moving the iRig Pro I/O switch to the ON position and check that the Phantom LED has turned on.

Specifications

Microphone Input

Microphone Input: balanced female 3-pin, XLR. Pin 2: hot / Pin 3: cold / Pin 1: ground

Microphone Input Level: from 6 mVpp to 1.4 Vpp

Microphone Input Impedance: 1.6 kOhms

Gain Range: 40 dB

Phantom Power: +48V \pm 4V

Frequency Response: 20 Hz - 20 kHz +/-1.5dB

Input Noise: -103 dB(A), -97 dB RMS

Instrument Input

Instrument Input: unbalanced, Hi-Z, TS 1/4" Jack, Tip: signal / Shield: ground

Instrument Input Level: from 30 mVpp to 6.9 Vpp

Instrument Input Impedance: 1 MOhms

Gain Range: 27 dB

Frequency Response: 20 Hz - 20 kHz +/-1.5dB

Input Noise: -103 dB(A), -97 dB RMS

Stereo Headphone Output

Connector: 1/8" TRS Jack. Tip: right / Ring: left / Shield: ground

Headphone Level Control numbered thumbwheel

Headphone Level Power 100mW into 50 Ohms

MIDI Input/Output

Connector: 2x2.5mm TS Jack

Other Input/Output

DC barrel: 1x DC barrel. For power and device charging.

Device Connector: mini-DIN

Common

Conversion: 24-bit A/D, 24-bit D/A

Sampling Rate: 44.1 kHz, 48 kHz, 88.2 kHz and 96 kHz

Power:

- USB bus powered when used with a computer
- Battery powered (2xAA included) when used with an iOS device
- DC power supply (not included, sold separately)

Warranty

Please visit:

www.ikmultimedia.com/warranty

for the complete warranty policy.

Support and more info

www.ikmultimedia.com/support

www.irigproio.com

Apple is not responsible for the operation of this device or its compliance with safety and regulatory standards.



FCC statement

This device complies with Part 15.107 and 15.109 Class B of the FCC Rules CFR47: October 2010.
Operation is subject to the following two conditions:

1. This device may not cause harmful interference.
2. This device must accept any interference received, including interference that may cause undesired operation.

Changes or modifications not expressly approved by the party responsible for compliance could void the user's authority to operate the equipment.



iRig® Pro I/O is a trademark or registered trademark property of IK Multimedia Production Srl. All other product names and images, trademarks and artists names are the property of their respective owners, which are in no way associated or affiliated with IK Multimedia.