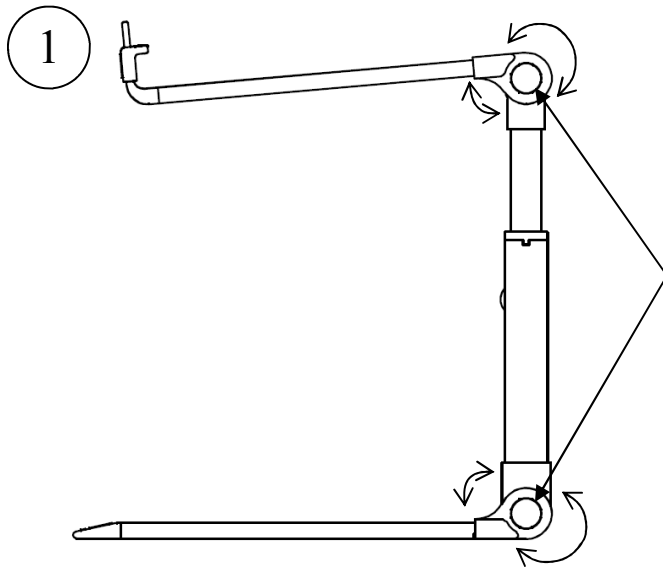
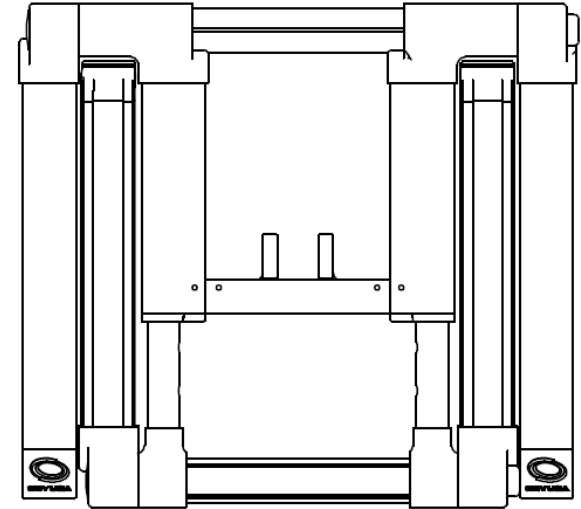
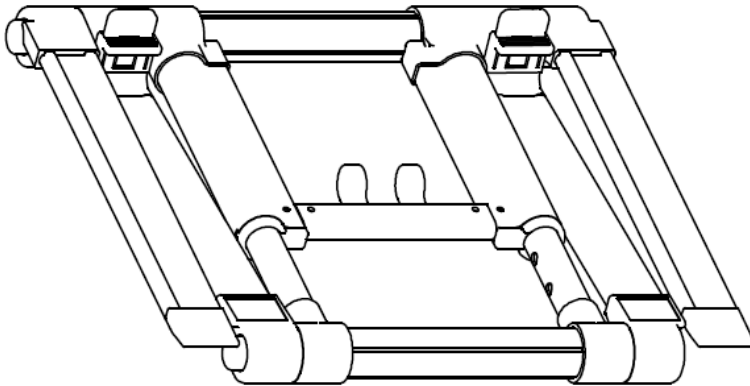


# LSTAND 360

Folding L Stand

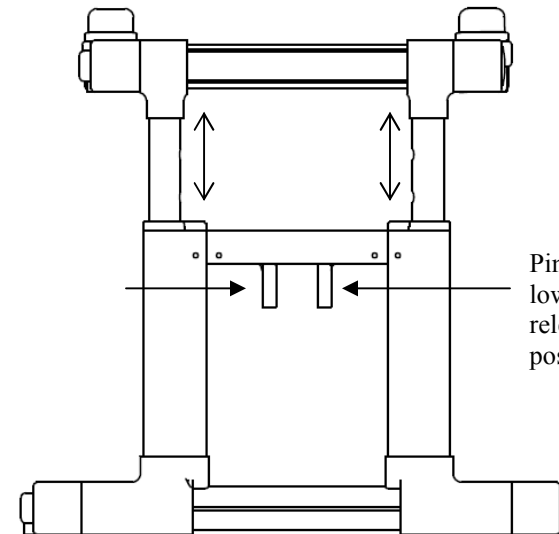


Folded state



Press button to rotate top arms and bottom feet and release to lock position.

2



Pinch to raise or lower height and release to lock position.