



SFBH1

Satin Finish Wireless Bluetooth® Headphones

Black: 100.560UK, Silver 100.561UK

User Manual

Safety Disclaimer



Do not attempt to service this product yourself as opening or removing covers may result in fire, electric shock or equipment damage and will also invalidate the warranty. This product is only designed for indoor use and must be kept away from water and high humidity, along with high temperatures and direct sunlight.

A stunning satin finish and cutting edge design combine with solid build quality to make these AV:Link Bluetooth headphones a thing of beauty. The latest Bluetooth v4.2 technology, hands-free microphone and intuitive ear cup controls, give you complete command of both your music and calls. You can enjoy up to 10 hours of play time via the rechargeable Lithium-ion battery and dynamic bass technology delivers deep immersive sound performance. Designed with luxury and comfort in mind, these foldable headphones are fitted with soft ear cushions and an adjustable padded headband, so you can enjoy them all day long at home or on the move.

- Attractive satin finish and solid construction
- Wireless Bluetooth v4.2 connectivity
- Dynamic bass technology
- Operating distance of up to 10m
- Internal rechargeable battery with up to 10 hours playback
- Track control and volume buttons on the ear cup
- Built-in microphone for hands free calls
- Foldable design for compact storage

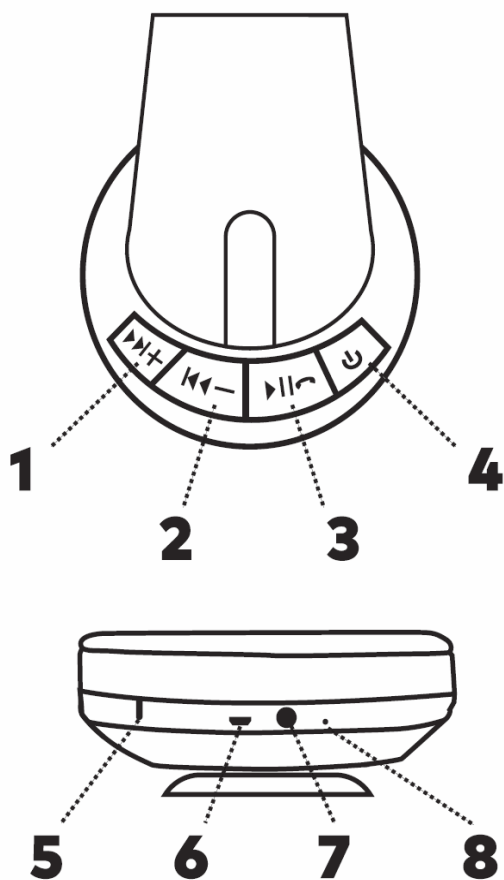
IN THE BOX

Wireless Bluetooth headphones
 Hard shell carry case
 USB charging lead (0.5m)
 3.5mm Audio lead (1.2m)
 User guide

Technical Specifications

Power supply	Internal rechargeable 400mAh Lithium battery
Battery life	Up to 10 hours (playback and talk time)
Standby time	Up to 180 hours
Charging time	2.5 hours (approx.)
Speaker size	40mmØ
Frequency response	20Hz - 20kHz
Sensitivity	115dB
Impedance	64Ω
Connections	Bluetooth, 3.5mm stereo jack, micro USB for charging
Bluetooth version	4.2
Bluetooth range	Up to 10m (clear line of sight)
Dimensions	205 x 200 x 85mm
Weight	250g

Controls & Functions



1. Next track/volume up

Short-press to move to the next track and long-press to increase the master volume. When the maximum volume is reached, an audible tone can be heard.

2. Previous track/volume down

Short-press to go back a track and long-press to decrease the master volume.

3. Play/pause/call answer

Short-press to play and pause the current track or to answer an incoming call. When a call is received, a voice will inform you of the telephone number. To accept the call press once, to reject the call press twice.

4. Power/Pair button

Press and hold to turn on the headphones and enter Bluetooth pairing mode. Once in pairing mode, the LED indicator will flash alternating blue and red. Once you have paired with your device, a voice message is heard and the LED indicator will turn blue. If you are asked for a pairing code, the device name is AV:LINK-SFBH1 and the code is 0000.

5. LED Indicator

This will flash alternate red and blue for pairing mode, flash blue for paired mode, solid red when charging or flash red when the battery is low.

6. USB Charging port

Insert the USB cable provided to charge the unit. On first use please ensure you fully charge the headphones. Whilst charging the LED will glow red and once it's fully charged, it will go out. When the power is low the LED will flash red, please recharge the unit at this point.

7. 3.5mm Jack port

Also provided with the unit is a 3.5mm jack cable, which can be used with the headphones by connecting to any device with a 3.5mm socket.

8. Built-in microphone

Can be used to answer hands free calls when connected to a compatible device.



This product is classed as Electrical or Electronic equipment and should not be disposed with other household or commercial waste at the end of its useful life. The goods must be disposed of according to your local council guidelines.