

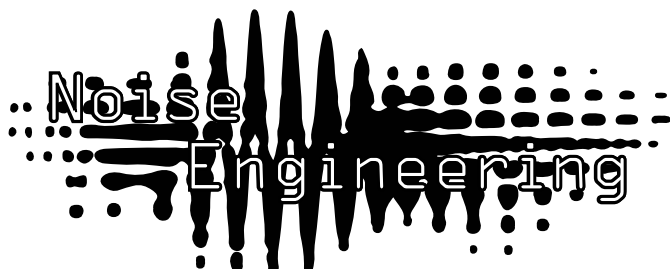
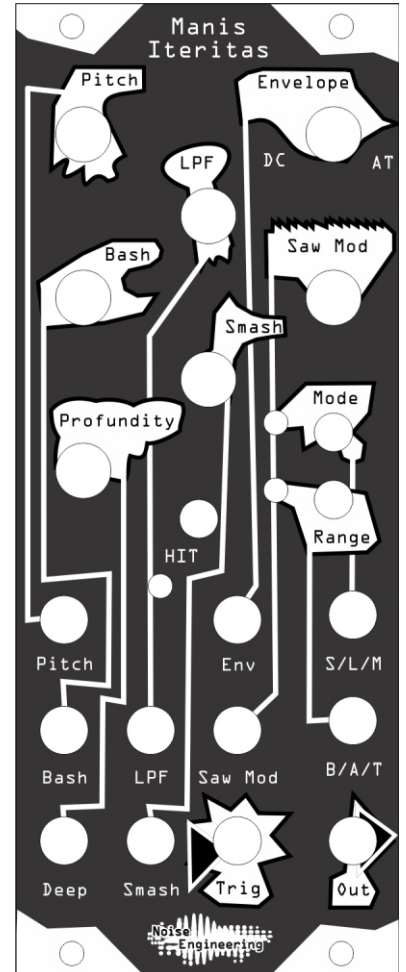
# Noise Engineering Manis Iteritas

Gross, gritty, and dark industrial-strength Voice

Type	VCO
Size	10HP Eurorack
Depth	1.5 Inches
Power	2x8 Eurorack
+12 mA	150 / 80 (if 5v on)
-12 mA	5 / 5
+5 mA	0 / 90 (optional)

"Tastes like paper." - Portrait X0

Manis Iteritas is a 10HP voice based on the architecture of Basimilus Iteritas, but designed to be more gritty and aggressive. It accomplishes this by using only sawtooth waves that are manipulated, modulated, and distorted through a rethought interface. Manis is suitable for leads, bass lines, drums, darkness, detuned madness, or pure mayhem.



# Noise Engineering Manis Iteritas

Gross, gritty, and dark industrial-strength Voice

## Interface

### Pitch

The Pitch encoder knob and CV input adjusts the pitch of the fundamental oscillator. Default is fine mode: steps are sub-perception so MI is difficult to bump out of tune. Push and turn for coarse adjustment: each step is a semitone. CV input is a 1v/8va standard input. The knob sums with the CV input.

### LPF

The low-pass filter tracks pitch; fully CCW only very low frequencies pass through. Turn fully CW to disable. MI uses two 2-pole non-resonant filters.

### Envelope

A simple AD envelope control that shapes the amplitude of the signal. Fully CCW, the signal is a short pop. As the knob is turned CW, the decay increases. At about two o'clock the attack time will increase slightly as well. When fully CW, the envelope no longer affects the amplitude (free-running mode). In this mode, a trigger in or manual trigger will hard-reset the oscillator.

### Saw Mod

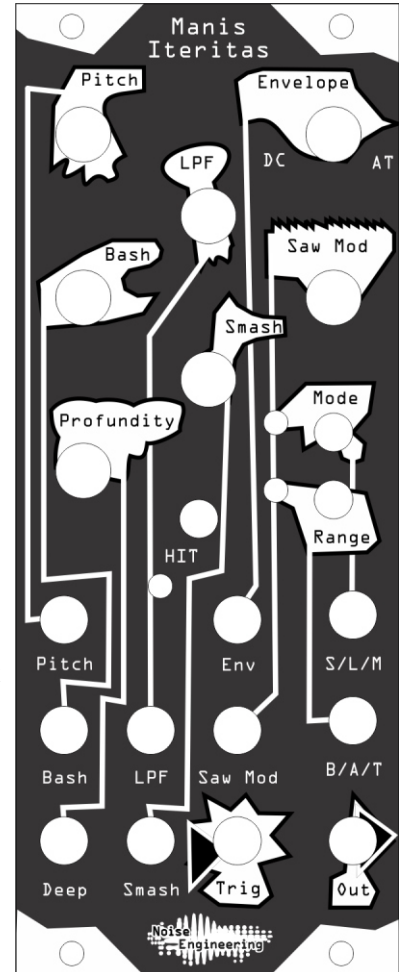
Sounds similar to PWM or sync mod. The operation performed is  $\text{frac}((2*s+1)*x)$  where  $s$  is the knob+jack and  $x$  is the current oscillator amplitude.

### Profundity

As the Profundity knob is turned CW, 1. MI adds additional, out-of-phase oscillators for a chorus effect; and 2. MI detunes the voice. This is achieved by randomly modulating the sample rate, which results in the perceived pitch becoming blurry.

### Smash

A gnarly wave-folder replacement, Smash is a modulus-function wave destroyer. The knob sets the level of destruction.



# Noise Engineering Manis Iteritas

Gross, gritty, and dark industrial-strength Voice

## Interface

### Bash

Routes the envelope to Smash, Profundity, and LPF. This knob acts as an attenuverter where 12:00 is off, right of center is positive send, left of center is a negative send.

### Mode: S/L/M

Selects the mode:

S (left): Six-oscillator additive

L (middle): Six-oscillator additive with pitch envelope

M (right): Two 3-operator phase-modulated oscillators

See Tone Generation for more information.

### Range: B/A/T

The range switch sets the lowest note. Each position is two octaves above its left neighbor.(Bass, Alto, and Treble).

### Trig

Triggers the start of the sound. It responds to the rising edge of a trigger and has a threshold of around 3V.

### Hit

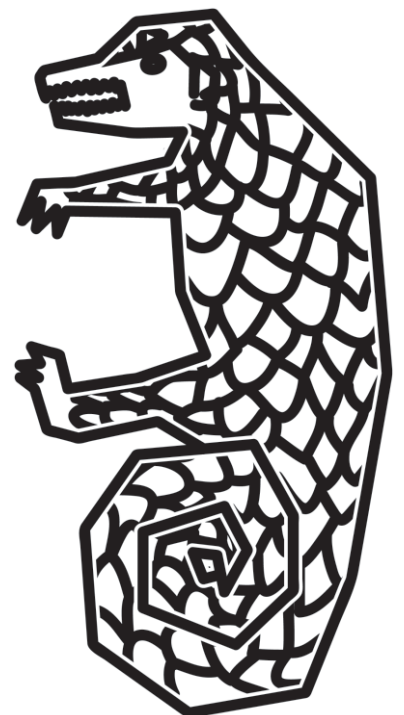
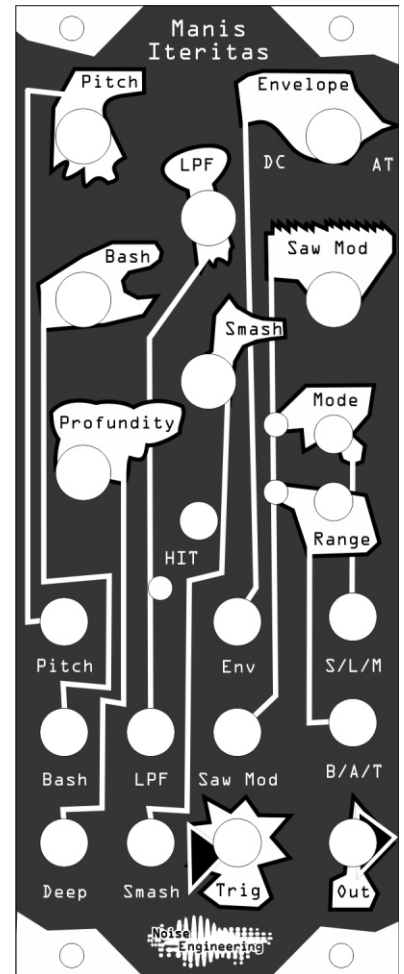
Momentary switch to manually trigger MI.

### Out

The out is a low-impedance audio source. The output varies based on parameters as MI compensates for loudness.

### CV Inputs

All parameters are CV-able. Knobs act as offsets unless stated otherwise. MI expects an incoming voltage of 0-5 v for non-pitch parameters and 0-8 v for pitch.



# Noise Engineering Manis Iteritas

Gross, gritty, and dark industrial-strength Voice

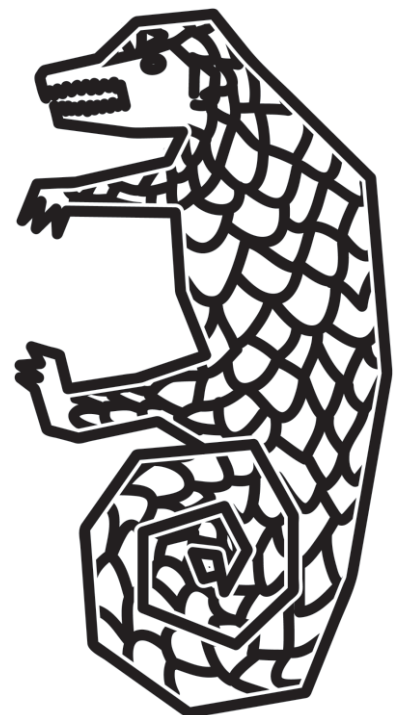
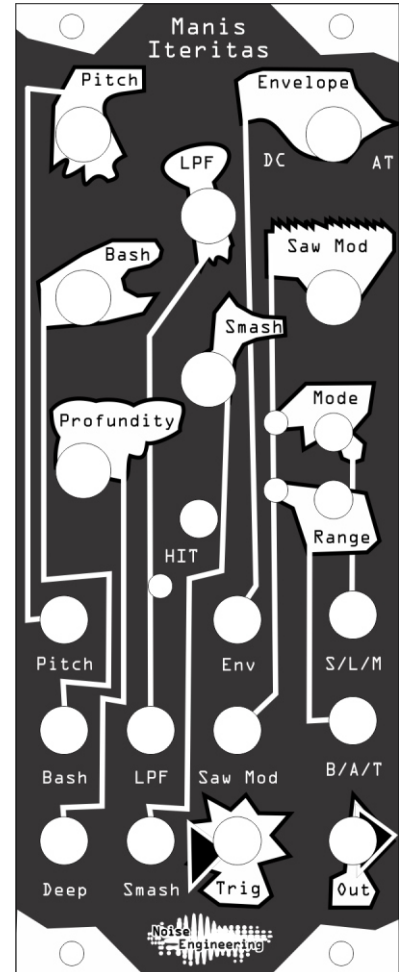
## Patch Tutorial

Basic Patch:

Send a trigger source (such as Noise Engineering's Numeric Repetitor) to the Trigger in. Patch Out to your mixer. Play with knobs to hear the range of sounds you can get out of MI.

Second Patch:

With the trigger in and audio out still patched, add LFOs, gates/triggers, or whatever CV source you have to the CV inputs. Some fun options include Noise Engineering's Sinc Iter and Integra Solum, WMD's PDO, Mannequins Just Friends, and Malekko Voltage Block.

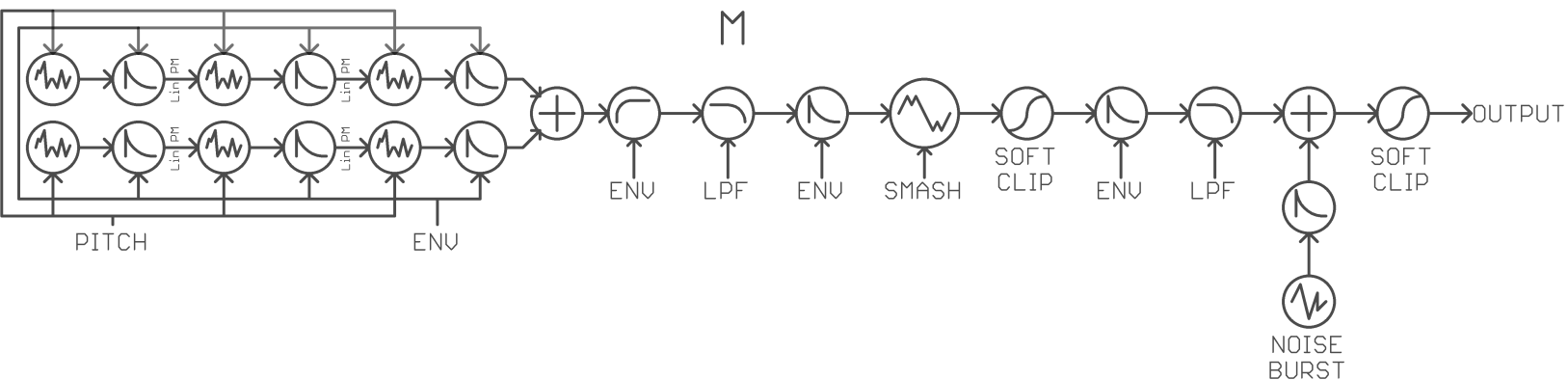
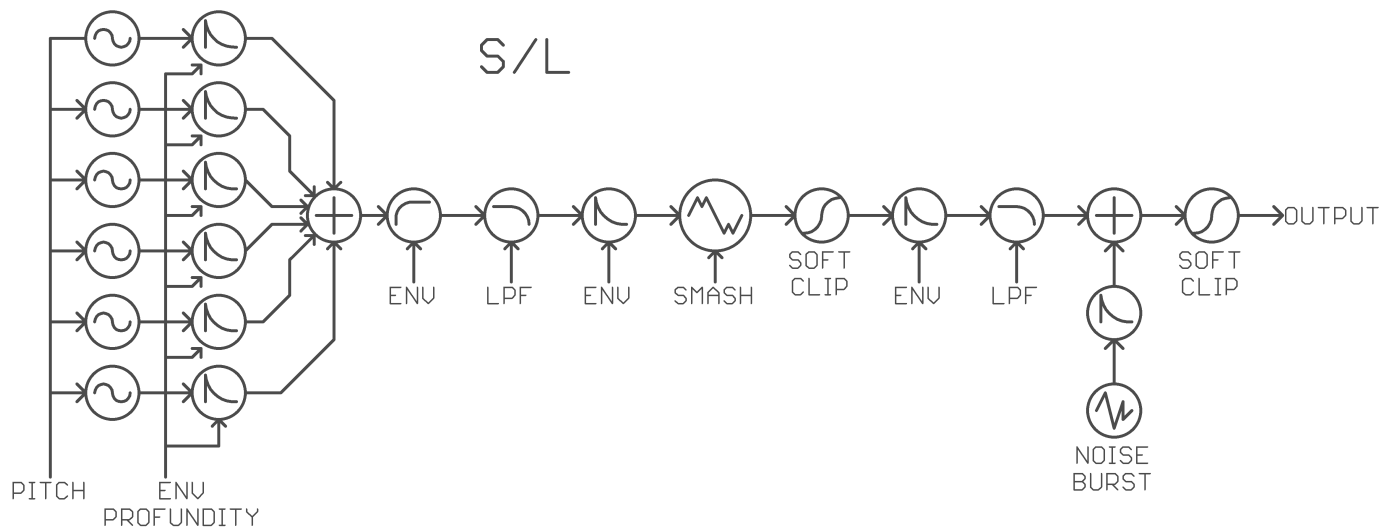


# Noise Engineering Manis Iteritas

Gross, gritty, and dark industrial-strength Voice

## Tone Generation

At first glance is very similar to the basimilus. In Skin and Liquid mode there are six oscillator/envelope pairs that are added together. In Metal mode there are phase modulated oscillator/envelope chains. Metal mode differs in Manis Iteritas by having two sets of three sequentially modulated oscillators rather than one set of six. Metal mode also waveshapes the output of the oscillators by summing two sawtooths of the same frequency to give a waveform somewhere between a sawtooth and a square.



# Noise Engineering Manis Iteritas

Gross, gritty, and dark industrial-Strength Voice

## Variable Sample Rate

Manis Iteritas uses a sample rate that is a multiple of the fundamental (lowest) oscillator frequency. This moves alias power that is a multiple of the fundamental to be mapped to a multiple of this tone, therefore making the aliasing align with the harmonics of the tone. This works well for settings with a strong harmonic structure (spread fully CW or fully CCW) and adds unique aliasing character for other tones.

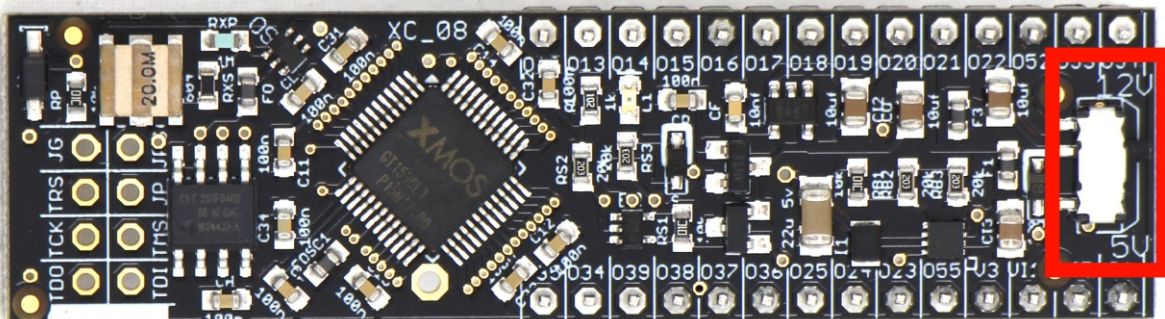
## Calibration of Tuning

Manis Iteritas comes pre-calibrated but over time it may change and need a touch up. Pitch calibration is controlled by an linear resistor-divider network. To calibrate the tuning, attach a volt meter (preferably 4+ digit) to the test points TPCV and TPGND on the rear panel and adjust the trim pot.

The voltage measured should be  $5/16$  (.3125) times the input voltage applied to the CV input. A reasonable way to tune the scale is to use an adjustable voltage source to generate 4 volts then adjust the tuning trim until the test points read 1.2500V. Manis Iteritas can also be tuned using a reference supply capable of generating a 1-volt difference and using a stroboscope such as the Peterson 490 to tune to an octave interval. This method is preferred to the meter-only method.

## Voltage Supply

Manis Iteritas can run its processor on the 5V eurorack power rail to reduce noise and load on the 12V bus. Gently push the switch tab in the direction of the desired rail to use.



# Noise Engineering

## Manis Iteritas

Gross, gritty, and dark industrial-Strength Voice

## Genesis and Design Notes

Manis Iteritas came of a suggestion by two friends of Noise Engineering: Matt Lange and Anthony Baldino. The original idea was for an alternate firmware for the original Basimilus Iteritas that would be unapologetically aggressive. This sounded like a fun idea and a couple days after our first chat we had enough ideas to give it a try. The first changes were simple. Move to saw tooth only, make the fold into something far more harsh, allow routing of the amplitude envelope to the tone parameters, and sample-rate modulation for a detuned sound. Another early add-on was a second distortion-like thing that would eventually become sawmod. We flashed Matt's Basimilus and gave it a spin.

This version met the goal of being aggressive but lacked a lot of subtlety. Anthony made the suggestion that a filter might be a good addition to help tame the sound. We weren't convinced, but once Stephen worked through the technical details, he was able to implement our first variable sample-rate filter.

We knew we were closer, but we weren't there yet, and so we spent considerable time working on expanding the tone space to have more variety of sounds that were more easily controlled from the knobs. The addition of the AD envelope was great fun, and based on NE user feedback, we tested out the option of removing the envelope from the amplitude. That was one of the last features we developed, but we were pretty happy with the sound (shout out to Patrik Andersson).

No pangolins were harmed in the creation of this module.

# Noise Engineering Manis Iteritas

Gross, gritty, and dark industrial-Strength Voice

## Manis Conservation

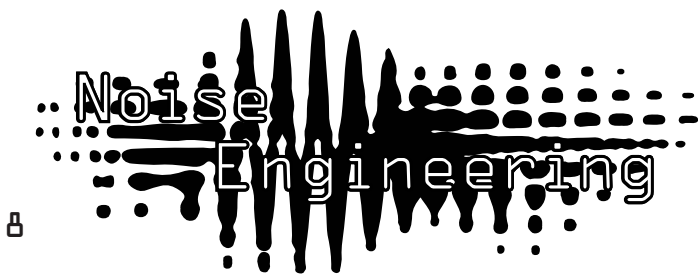
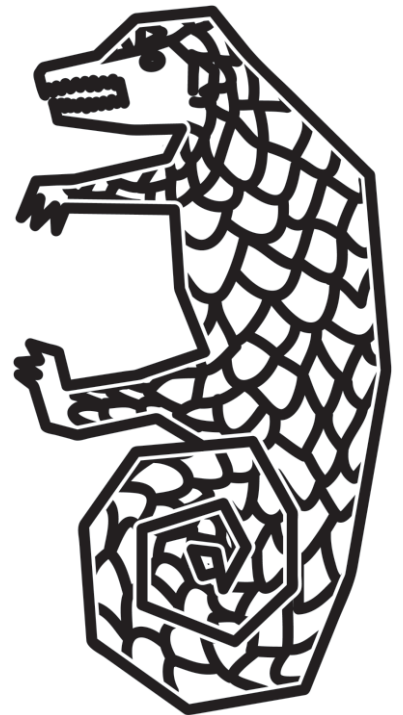
Manis is Latin for ghosts of the dead, which is a pretty good descriptor for the sounds we get out of that beast...but it is also part of the scientific name for a critically endangered scaly mammal from Asia called a pangolin. Pangolins are threatened by wildlife poachers and traffickers. We decided this was an easy connection for us to make in our quest to support science and conservation.

Noise E is proud to be a founding business partner with Save Pangolins, a globally recognized pangolin conservation organization. We've committed to donate a portion of the proceeds from every MI sold to pangolin conservation. That means you can pat yourself on the back for buying a Manis, knowing you're doing some good in the world! Want to know more about what you can do? Check out the Save Pangolins website: [www.savepangolins.org](http://www.savepangolins.org)

## Special Thanks

Matt Lange  
Anthony Baldino  
Patrik Andersson  
Patrick O'Brien  
William Mathewson  
Mickey Bakas  
Tyler Thompson  
Alex Anderson

Manis logo created by  
Cynthia Hitchcock  
(<https://fineartamerica.com/profiles/cindy-hitchcock.html>)



SAVE  
PANGOLINS  
.ORG