

MC-40BT

Wireless Headphones with Mic and Control

OWNER'S MANUAL



Important Safety Instructions

1. Read, follow, and keep these instructions. Heed all warnings.
2. Do not use in or near dangerous environments. This includes driving, cycling, walking, jogging and other areas where traffic is present and accidents could occur.
3. Keep this product and its accessories out of reach of children. Handling or use by children may pose a risk of death or serious injury. Contains small parts and cords that may pose a risk of choking or strangulation.
4. Set the volume level of the audio device to a minimum, and then, after connecting the earphones, adjust the volume gradually. Sudden exposure to loud noises could cause hearing damage.
5. Keep headphones clean. To clean the headphones, wash outside with a mild detergent solution.
6. Do not attempt to modify this product. Doing so could result in personal injury and/or product failure.
7. Do not immerse in water, such as while taking a shower, bath, or washing your face. Otherwise, sound deterioration or failures may result.
8. Do not use while sleeping as accidents may result.
9. Use a slow twisting motion to remove the earphones. Never pull on the earphone cord.
10. Stop using the earphones immediately if they are causing great discomfort, irritation, rash, discharge, or any other uncomfortable reaction.
11. If you are currently receiving ear treatment, consult your physician before using this device.
12. The use of apparatus is in moderate climates. [115 °F / 46 °C maximum].
13. This device complies with Part 15 of the FCC Rules [and contains license-exempt transmitter(s)/receiver(s) that comply with Innovation, Science and Economic Development Canada's license-exempt RSS(s)]. Operation is subject to the following two conditions:
 - (1) this device may not cause harmful interference, and
 - (2) this device must accept any interference received, including interference that may cause undesired operation.

L'émetteur/récepteur exempt de licence contenu dans le présent appareil est conforme aux CNR d'Innovation, Sciences et Développement économique Canada applicables aux appareils radio exempts de licence. L'exploitation est autorisée aux deux conditions suivantes:

 - (1) l'appareil ne doit pas produire de brouillage, et
 - (2) l'appareil doit accepter tout brouillage radioélectrique subi, même si le brouillage est susceptible d'en compromettre le fonctionnement.
14. The device meets the exemption from the routine evaluation limits in section 2.5 of RSS 102 and compliance with RSS-102 RF exposure, users can obtain Canadian information on RF exposure and compliance.

Le dispositif rencontre l'exemption des limites courantes d'évaluation dans la section 2.5 de RSS 102 et la conformité à l'exposition de RSS-102 rf, utilisateurs peut obtenir l'information canadienne sur l'exposition et la conformité de rf.


15. **NOTE:** This equipment has been tested and found to comply with the limits for a Class B digital device, pursuant to part 15 of the FCC Rules. These limits are designed to provide reasonable protection against harmful interference in a residential installation. This equipment generates, uses, and can radiate radio frequency energy and, if not installed and used in accordance with the instructions, may cause harmful interference to radio communications. However, there is no guarantee that interference will not occur in a particular installation. If this equipment does cause harmful interference to radio or television reception, which can be determined by turning the equipment off and on, the user is encouraged to try to correct the interference by one or more of the following measures:
 - Reorient or relocate the receiving antenna.
 - Increase the separation between the equipment and the receiver.
 - Connect the equipment into an outlet on a circuit different from that to which the receiver is connected.
 - Consult the dealer or an experienced radio/TV technician for help.

CAUTION: Changes or modifications to this device not expressly approved by LOUD Audio, LLC. could void the user's authority to operate the equipment under FCC rules.

16. Exposure to extremely high noise levels may cause permanent hearing loss. Individuals vary considerably in susceptibility to noise-induced hearing loss, but nearly everyone will lose some hearing if exposed to sufficiently intense noise for a period of time. The U.S. Government's Occupational Safety and Health Administration (OSHA) has specified the permissible noise level exposures shown in the following chart.

According to OSHA, any exposure in excess of these permissible limits could result in some hearing loss. To ensure against potentially dangerous exposure to high sound pressure levels, it is recommended that all persons exposed to equipment capable of producing high sound pressure levels use hearing protectors while the equipment is in operation. Ear plugs or protectors in the ear canals or over the ears must be worn when operating the equipment in order to prevent permanent hearing loss if exposure is in excess of the limits set forth here:

Duration, per day in hours	Sound Level dBA, Slow Response	Typical Example
8	90	Duo in small club
6	92	
4	95	Subway Train
3	97	
2	100	Very loud classical music
1.5	102	
1	105	The dogs barking at the mailman
0.5	110	
0.25 or less	115	Loudest parts at a rock concert

 High sound pressure. Hearing damage risk. Do not listen at high volume levels for long periods.

WARNING — The battery (battery or batteries or battery pack) shall not be exposed to excessive heat such as sunshine, fire or the like.

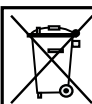
CAUTION — Danger of explosion if battery is incorrectly replaced. Replace only with the same or equivalent type.

Laitte on liitettävä suojakoskettimilla varustettuun pistorasiaan.

Apparatet stikprop skal tilsluttes en stikkontakt med jord, som giver forbindelse til stikproppens jord.

Apparatet må tilkoples jordet stikkontakt.

Apparaten skall anslutas till jordat uttag.



Correct disposal of this product: This symbol indicates that this product should not be disposed of with your household waste, according to the WEEE directive (2012/19/EU) and your national law. This product should be handed over to an authorized collection site for recycling waste electrical and electronic equipment (EEE). Improper handling of this type of waste could have a possible negative impact on the environment and human health due to potentially hazardous substances that are generally associated with EEE. At the same time, your cooperation in the correct disposal of this product will contribute to the effective usage of natural resources. For more information about where you can drop off your waste equipment for recycling, please contact your local city office, waste authority, or your household waste disposal service.

Contents

Important Safety Instructions	2
Contents	3
Features.....	3
Introduction	4
Getting Started	4
Hookup Diagrams	5
MC-40BT Features	7
First Things First	7
1. 1/8" Input Jack.....	7
2. USB-C Power Connection	7
3. Status LED	7
4. Volume / Transport Buttons.....	8
5. Power / Play / Pause / BT Button	8
Care and Maintenance	8
Appendix A: Service Information.....	9
Appendix B: Technical Information	10
Limited Warranty	11

Features

- Legendary Mackie acoustic design & tuning**
- Up to 30+ hours of battery life**
- Volume, Pause/Play/Skip & Phone Controls**
- Built-in microphone**
- USB-C fast charging**
- 1/8" Input for wired connection**
- Ergonomic conforming earpads**
- Portable, Collapsible Design**
- Frequency Response: 20Hz – 20kHz**
- Transducer size: 40 mm**
- Included accessories**
 - USB-C charging cable
 - 1/8" to 1/8" cable for wired connection
 - Deluxe carrying case

Please write the serial number(s) here for future reference (i.e., insurance claims, tech support, return authorization, make dad proud, etc.)

Purchased at:

Date of purchase:



Part No. SW1358 Rev. A 11/21
 ©2021 LOUD Audio, LLC. All Rights Reserved.

Introduction

Experience the incredible detail and clarity of the MC Series, now with the freedom of wireless with MC-40BT Wireless Headphones.

Enjoy maximum sound-quality with legendary Mackie acoustic tuning plus custom high-performance 40mm drivers.

The ergonomic headband and ear pads offer a comfortable listening experience for long sessions and remote meetings.

Need all day performance? Get over 30 hours of listening and get back into action quickly via USB-C fast charging.

The built-in high-quality microphone is perfect for phone calls, video chat, gaming, and more.

Easy controls for volume, play/pause/skip, and phone call control help keep you focused on your music, call, or exciting quarterly meeting.

How to Use This Manual:

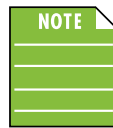
After this introduction, a getting started guide will help you get things set up fast. The hookup diagrams show some typical use-case scenarios.



This icon marks information that is critically important or unique! For your own good, read and remember them...it is a good idea to pay special attention to these areas in the Owner's Manual marked with the "VERY IMPORTANT" hand icon.



There's an illustration of a microscope, so, of course, you're going to get more detailed information when you see this little guy. There are explanations of features and practical tips listed here.



It's a good idea to pay attention to text displayed next to a note icon, as this icon draws attention to certain features and functions relating to the usage of the MC-40BT wireless headphones.

Things to Remember:

- Never listen to loud music for prolonged periods. Please see the Safety Instructions on page 2 for information on hearing protection.
- Save the shipping boxes and packing materials! You may need them someday. Besides, the cats will love playing in them and jumping out at you unexpectedly. Remember to pretend like you are surprised!
- Save your sales receipt in a safe place.



This setup is literally what I use the Mackie MC-40BT headphones for on a daily basis. Every morning, there's a conference call with my co-workers best friends in the world!

Put the headphones on, pair and connect it with a computer and off you go! From here, the only thing that's left to do is raise / lower the volume to your preferred taste.

Conference Call



In this example, a gentleman is traveling somewhere. This person could download whatever they want to their computer. Then when the plane, train or automobile takes off, the headphones get put on and the person starts – well, in this case, plays music while working. Another option is to forgo work while traveling and simply binge watch a series or catch a flick. After all, “Those aren't pillows!” From here, the only thing that's left to do is raise / lower the volume to your preferred taste.

This type of setup is also perfect sans traveling – and another way I use it on a daily basis. Our morning meeting wraps up, the music starts playing and I begin writing. Other suggestions are playing music wirelessly while doing household chores or streaming a football game when paying bills, going through personal email, surfing the web, etc. So many use cases!

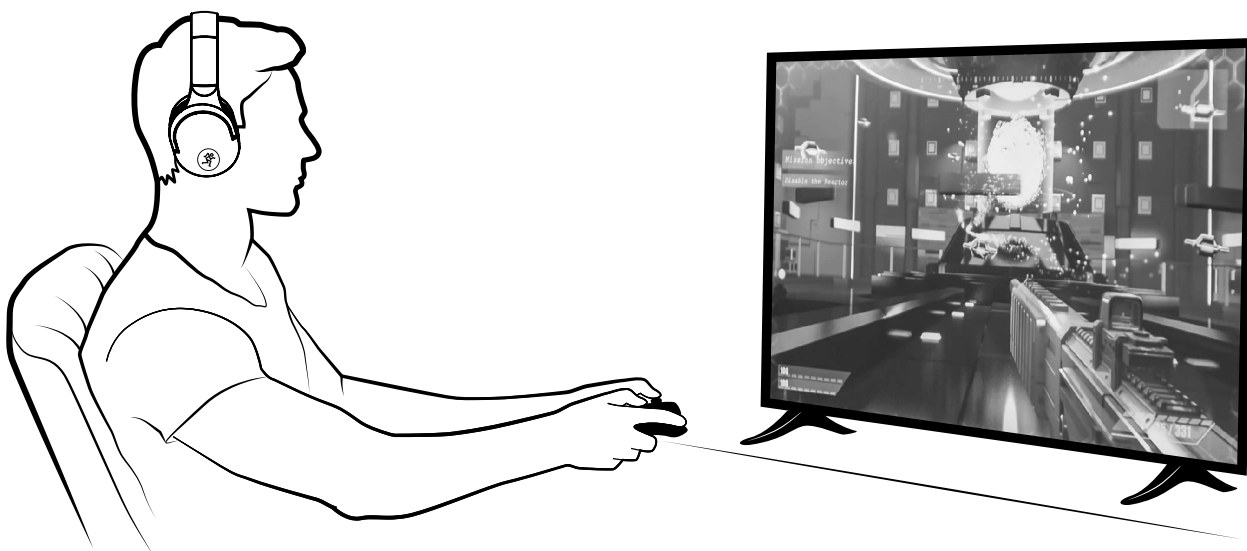
Traveling

Hookup Diagrams continued...



Here is another favorite use case for the MC-40BT wireless headphones: exercising. This could be any number of things from walking and/or running, pumping iron at a gym, cycling and more. The world is your oyster! If using them outside, please be aware of your surroundings and be safe! It might be a good idea to lower the volume so as not to fully “tune out” the world. Also, be sure that the device is on (or near) you since line of sight is approximately 30 feet / 10 meters.

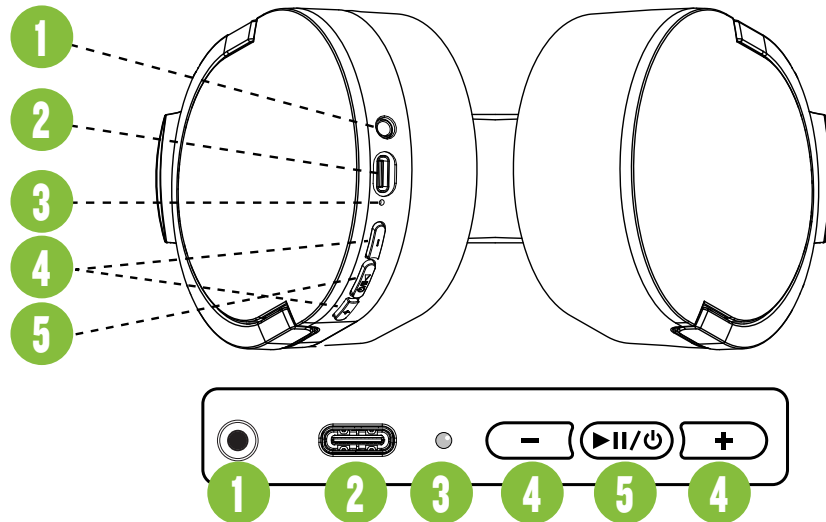
Exercising



Last, but certainly not least... we're looking at you, gamers! The MC-40BT wireless headphones are the perfect addition. Do you like to stay up late and play online with friends? The built-in mic helps you and your teammate(s) discuss strategies and/or (more likely) talk trash.

Gaming

MC-40BT Features



First Things First

The MC-40BT wireless headphones were designed with sound and comfort in mind. That said, for the best results, the controls shown above should be placed on the right side of your head.



Warning: The headphones can be loud and could cause permanent hearing damage. Even intermediate levels may be painfully loud. **BE CAREFUL!**

Always turn the volume all the way down before putting on the headphones. Then turn it up slowly as you listen carefully.

1. 1/8" Input Jack

You bought wireless headphones to... well, you know, go wireless. Cut the cord! Some people just aren't ready for that quite yet and we've got you covered here, as well, as this jack allows for a wired connection.

Simply connect the included 1/8" cable from this jack to a headphone jack of a mixer, phone or anything else that has a phones out jack.



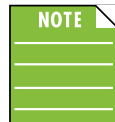
The Bluetooth signal is killed when the headphones are "hardwired" and will remain as such until that connection has been removed.

2. USB-C Power Connection

This connector is used for charging the MC-40BT wireless headphones.

It is a standard USB-C power connector. Connect the USB-C side of the detachable power cord (included in the packaging) to the MC-40BT wireless headphones and plug the other end of the power cord into a standard USB-A connector.

A fully charged set of MC-40BT headphones can last for up to 30+ hours of continuous usage... and it takes only three hours for a completely dead set of MC-40BTs to become fully charged once again.



Please note that the MC-40BT wireless headphones should not be used while it's charging.

3. Status LED

This LED indicates the status of the headphones, including power, device pairing and more.

- **Charging:** Status LED illuminates solid red.
- **Charged:** Status LED illuminates solid blue.
- **BT Pairing Mode:** Status LED flashes blue and red.
- **BT Connected:** Status LED slow flashes blue.
- **Powered Off:** Status LED is off.

MC-40BT Features continued...

4. Volume / Transport Buttons

These momentary buttons adjust the overall output level. A simple press and release will do the trick; multiple times if you need it any quieter or louder.

But that's not all! With each pair of MC-40BT wireless headphones ordered in the next ten years, we'll also unlock a second feature on these buttons.

That's right, Bob, when pressed and held, these act as 'skip track' buttons: "+" goes to the next track and "-" returns to the beginning of the track that is currently playing.

Don't delay, operators are standing by!

5. Power / Play / Pause / Bluetooth Button

Now if you thought the dual-feature volume buttons were out of this world, wait until you hear what this one single button is capable of... it's the Offiziersmesser of wireless headphone buttons!

For starters, press and hold this button down to power the headphones on and off. Voice prompts will indicate the power on /off status, as well as the connecting / paired status.

Upon powering up the MC-40BT headphones, the Bluetooth function is either:

- (1) In sleep mode. See 'Pairing and connecting for the first time' (below) or...
- (2) ...Paired and connected. See 'Previously paired and connected devices' (to the right).

Pairing and connecting for the first time:

On the first power-up, a voice prompt will state, "power on" followed by, "Bluetooth pairing mode".

While the MC-40BT headphones are in pairing mode, simultaneously scan for Bluetooth devices on the computer or device. You should see 'MC-40BT' appear in the list of "available devices". Select it by tapping it. From there, your Bluetooth device should indicate that it is successfully connected.

Two additional things will also occur. First, the status LED will stop flashing blue and red and will begin to slow flash blue instead. Second, a voice prompt will say, "connected".

If this does not work, start the pairing process again, and make sure that the MC-40BTs and computer / device are both in pairing mode at the same time.

Previously paired and connected devices:

The Bluetooth connection will disconnect if it's out of range. Previously paired and connected devices will automatically reconnect upon subsequent power-ups; no need to re-pair devices each time! In this case, a voice prompt will state, "power on" followed by, "connected".



The Bluetooth connection may disconnect when affected by electrostatic discharge (ESD) or electrical fast transients (EFT). If this occurs, manually reconnect the Bluetooth connection.

Once the MC-40BT wireless headphones have been paired with a device, this single button controls a few more things.

Press this button to quickly play or pause the Bluetooth stream. Pressing this button also answers and ends phone calls. As mentioned above, pressing and holding this button down would power the headphones off, so don't do that until you're ready. A "power off" voice prompt will confirm.

Care and Maintenance

Your MC-40BT wireless headphones will provide many years of reliable service if you follow these guidelines:

- Avoid exposing them to moisture. If they will be used outdoors, be sure they are under cover if rain is expected.
- Use a dry cloth to clean the headphones. Only do this when the power is turned off. Avoid getting moisture into any of the openings of the headphones, particularly where the drivers are located.

Appendix A: Service Information

If you think your MC-40BT wireless headphones have a problem, please check out the following troubleshooting tips and do your best to confirm the problem. Visit the Support section of our website (www.mackie.com/support) where you will find lots of useful information such as FAQs and other documentation. You may find the answer to the problem without having to part with your headphones.

Troubleshooting

No power

- Is it charged? There is an amazing 30+ hours of usage time, but they do need to be recharged occasionally!
- Are they powered on? If not, try turning them on.
- Is it the year 2112? If so, their better days are behind them now.

No sound

- Is the level for the input source turned all the way down or muted? How about the levels on the headphones? Verify that all the volume controls in the system are properly adjusted.
- Is the signal source working? Try with speakers first. If it's good there, try with hardwired headphones next; this could be the MC-40BTs. If it's good there, it might be that the Bluetooth hasn't been connected or something else.

Poor sound / Noise

- Is it loud and distorted? Make sure that you're not overdriving a stage in the signal chain. Verify that all level controls are set properly.
- If using the wired input, is the input connector plugged completely into the jack? Be sure all connections are secure.

Bluetooth or Other Issues

- Please email or call Technical Support if you are having any other issue not listed here:
 - o mackie.com/support-contact
 - o 1-800-898-3211

Repair

For warranty service, refer to the warranty information on page 11.

Non-warranty service is available at a factory-authorized service center. To locate the nearest service center, visit www.mackie.com/support/service-locator. Service for MC-40BT wireless headphones living outside the United States may be obtained through local dealers or distributors.

If you do not have access to our website, please call our Tech Support department at 1-800-898-3211 (normal business hours, Pacific Time), to explain the problem. They will tell you where the nearest factory-authorized service center is located in your area.

Appendix B: Technical Information

MC-40BT Specifications

Frequency Response 20 Hz – 20 kHz

Sensitivity 102 ±3 dB/mW

Maximum Input Power 200mW

Impedance 32 Ω

Driver size 40 mm

Drive Type Dynamic

Input Type 1/8" TRS and Bluetooth

Microphone Type MEMS

Mic Directivity Omnidirectional

Charging Input Voltage 5V

Charge Time 3 Hours

Use Time 30 Hours

Bluetooth 5.0

Bluetooth Range 30 feet / 10 meters

Compatible BT Profiles A2DP, AVRCP, HFP, HSP

Supported Codec SBC, AAC

System Requirements All PC and Mac, Android and iOS devices that have Bluetooth are supported

Physical Properties

Audio cable length: 47.2 in / 1199 mm

USB cable length: 11.8 in / 300 mm

Weight: 0.7 lb ±10% / 0.3 kg ±10%

Disclaimer

Since we are always striving to make our products better by incorporating new and improved materials, components, and manufacturing methods, we reserve the right to change these specifications at any time without notice.

The "Running Man" figure is a registered trademark of LOUD Audio, LLC.

All other brand names mentioned are trademarks or registered trademarks of their respective holders, and are hereby acknowledged.

©2021 LOUD Audio, LLC. All Rights Reserved.

Limited Warranty

Please keep your sales receipt in a safe place.

This Limited Product Warranty ("Product Warranty") is provided by LOUD Audio, LLC ("LOUD") and is applicable to products purchased in the United States or Canada through a LOUD-authorized reseller or dealer. The Product Warranty will not extend to anyone other than the original purchaser of the product (hereinafter, "Customer," "you" or "your").

For products purchased outside the U.S. or Canada, please visit www.mackie.com to find contact information for your local distributor, and information on any warranty coverage provided by the distributor in your local market.

LOUD warrants to Customer that the product will be free from defects in materials and workmanship under normal use during the Warranty Period. If the product fails to conform to the warranty then LOUD or its authorized service representative will at its option, either repair or replace any such nonconforming product, provided that Customer gives notice of the noncompliance within the Warranty Period to the Company at: www.mackie.com or by calling LOUD technical support at 1.800.898.3211 (toll-free in the U.S. and Canada) during normal business hours Pacific Time, excluding weekends or LOUD holidays. Please retain the original dated sales receipt as evidence of the date of purchase. You will need it to obtain any warranty service.

For full terms and conditions, as well as the specific duration of the Warranty for this product, please visit www.mackie.com.

The Product Warranty, together with your invoice or receipt, and the terms and conditions located at www.mackie.com constitutes the entire agreement, and supersedes any and all prior agreements between LOUD and Customer related to the subject matter hereof. No amendment, modification or waiver of any of the provisions of this Product Warranty will be valid unless set forth in a written instrument signed by the party to be bound thereby.

Need help with the MC-40BT Headphones?

- Visit www.mackie.com/support to find: FAQs, manuals, addendums, and other documents.
- Email us at: www.mackie.com/support-contact
- Telephone 1-800-898-3211 to speak with one of our splendid technical support chaps (Monday through Friday, normal business hours, Pacific Time).



MACKIE.

19820 North Creek Parkway #201

Bothell, WA 98011 • USA

Phone: 425.487.4333

Toll-free: 800.898.3211

Fax: 425.487.4337

www.mackie.com

MC-40BT